

# 3 Calculator NOT allowed

## Math Test – No Calculator

25 MINUTES, 20 QUESTIONS

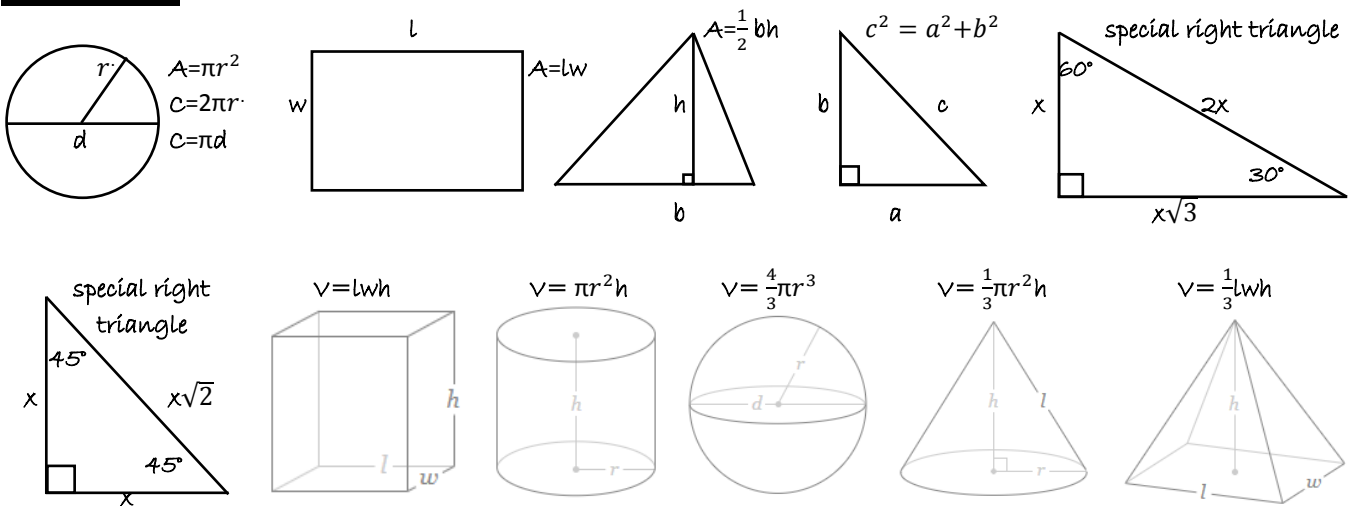
### DIRECTIONS

For each question 1-15, given below, solve each question, and choose the best answer from the multiple choices given and completely fill in the appropriate bubble. Answers to questions 16-20 have to be entered in the grid. Please follow directions given before question number 16 to enter answers by properly filling in the bubbles in the grid. Any space available on the question paper may be used for scratch work.

### NOTES

- 1) Calculator is not allowed in this section.
- 2) All coefficients, variables and other expressions are real numbers unless stated otherwise.
- 3) All figures shown in the test are to scale unless stated otherwise.
- 4) Unless stated otherwise, all figures lie in a two dimensional plane.
- 5) Unless stated otherwise, the domain of any function “ $f(x)$ ” and variable “ $x$ ” are all real numbers.

### REFERENCES



There are 360 degrees in a circle.

There are  $2\pi$  radians in a circle.

The sum of inside angles of a triangle is 180 degrees.

# 3 Calculator NOT allowed

1

3

2

4



# 3 Calculator NOT allowed

5

7

6

8

# 3 Calculator NOT allowed

9

11

10

12

3

# Calculator NOT allowed

13

15

14



# 3

# Calculator NOT allowed

## DIRECTIONS

INSERT SAMPLE ANSWERS FOR GRID

For the questions 16-20, solve the questions and write the answers in the grid

A) You may want to write the answers above the bubbles to help you fill in the correct bubbles. Credit is given only for filling in the correct bubbles on the answer sheet.

B) Fill in only one bubble in each column.

C) you will not be penalized for a negative answer.

D) some questions may have two or more correct answers. In that case fill in the bubble for only one correct answer.

E) If your answer is a MIXED NUMBER, such as  $5\frac{1}{2}$ , convert it to a decimal number, i.e. 5.5 or an improper fraction, i.e.  $\frac{11}{2}$  and entered in to the grid as such. Do not enter it in the grid as 5 1/2. It will be taken as  $\frac{51}{2}$

F) If your answer is a DECIMAL NUMBER with more digits than the number of columns in the grid, you must either round off or truncate the answer.

# 3 Calculator NOT allowed

16

18

17



# 3 Calculator NOT allowed

19

20

## STOP

If you finish before time is called, you may check your work on this section only.  
Do not turn to any other section



## Math Test – Calculator

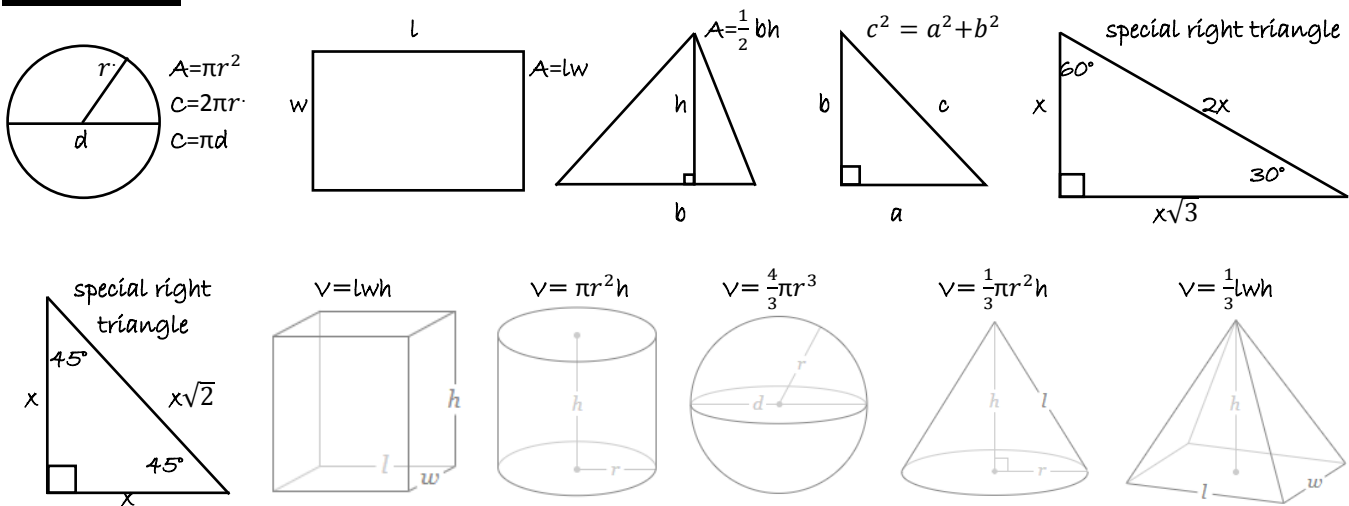
55 MINUTES, 38 QUESTIONS

**DIRECTIONS**

For each question 1-30, given below, solve each question, and choose the best answer from the multiple choices given and completely fill in the appropriate bubble. Answers to questions 31-38 have to be entered in the grid. Please follow directions given before question number 31 to enter answers by properly filling in the bubbles in the grid. Any space available on the question paper may be used for scratch work.

**NOTES**

- 1) Calculator is allowed in this section.
- 2) All coefficients, variables and other expressions are real numbers unless stated otherwise.
- 3) All figures shown in the test are to scale unless stated otherwise.
- 4) Unless stated otherwise, all figures lie in two dimensional plane.
- 5) Unless stated otherwise, the domain of any function "f(x)" and variable "x" are all real numbers.

**REFERENCES**

There are 360 degrees in a circle.  
 There are  $2\pi$  radians in a circle.  
 The sum of inside angles of a triangle is 180 degrees.

4

# Calculator is allowed

1

3

2

4

4

# Calculator is allowed

5

7

6

8

4

# Calculator is allowed

9

11

10

12

4

# Calculator is allowed

13

15

14

16



4

# Calculator is allowed

17

19

18

20



4

# Calculator is allowed

21

23

22

24

4

# Calculator is allowed

25

27

26

28



4

# Calculator is allowed

29

30

**DIRECTIONS**

INSERT SAMPLE ANSWERS FOR GRID

For the questions 16-20, solve the questions and write the answers in the grid

A) You may want to write the answers above the bubbles to help you fill in the correct bubbles. Credit is given only for filling in the correct bubbles on the answer sheet.

B) Fill in only one bubble in each column.

C) you will not be penalized for a negative answer.

D) some questions may have two or more correct answers. In that case fill in the bubble for only one correct answer.

E) If your answer is a MIXED NUMBER, such as  $5\frac{1}{2}$ , convert it to a decimal number, i.e. 5.5 or an improper fraction, i.e.  $\frac{11}{2}$  and entered in to the grid as such. Do not enter it in the grid as 5 1/2. It will be taken as  $\frac{51}{2}$

F) If your answer is a DECIMAL NUMBER with more digits than the number of columns in the grid, you must either round off or truncate the answer.

4

# Calculator is allowed

31

33

32

34



4

# Calculator is allowed

35

37

36

38

4

# Calculator is allowed

19

20

**STOP**

If you finish before time is called, you may check your work on this section only.  
Do not turn to any other section.